



Technical Data

Nominal size	MAX3: 2.5" MAX5: 4"
Measurement range	Vacuum/Compound - 15,000 psi
Pressure limitation	Steady : 75% of full scale value Fluctuating : 65% of full scale value Short time : 100% of full scale value
Accuracy	2.5": +/- 1.6% of span 4": +/- 1.0% of span
Protection rating	IP 65
Process Connection	MAX: Copper Alloy
Bourdon tube	MAX: Copper Alloy - pressures <6,000 psi Stainless Steel - pressures >6,000 psi
Case	Stainless Steel

Main Features

- Stainless Steel case and copper alloy socket
- Ranges up to 15,000 psi
- Liquid-filled for applications with pulsations or vibrations

Applications

- Adverse service conditions where pulsation or vibration exist
- Suitable for gaseous or liquid media that will not obstruct the pressure system.
- Hydraulics
- Compressors
- Pneumatics
- Pumps
- Diesel

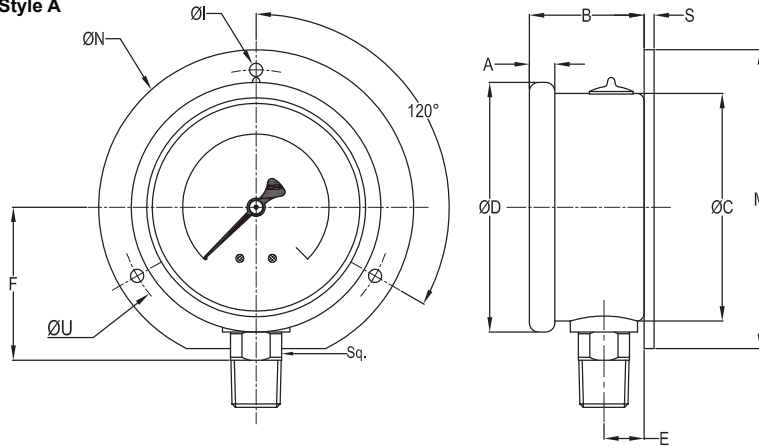
Movement	Copper Alloy
Window	Acrylic
Window gasket	Elastomer
Dial	Aluminium, white
Pointer	Aluminum, black
Temperature	Ambient : -4°F ...+140°F (-20°C...+60°C) - Glycerin Filled -40°F...+140°F (-40°C...+60°C) - Silicone Filled Medium : max. +140°F
Thermal drift	± 0.4% F.S. / 10 K (reference : 20°C)

Options

Restrictor screw Ø 0.3	Code 0769
Oxygen Cleaned	Code 0765
Dual Scale Dial	Code 9712
Customer Specific Logo	Code 9710

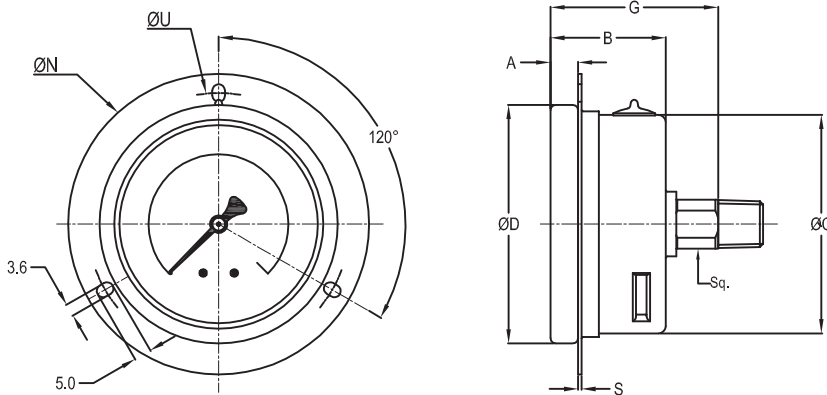
Dimensions - Types of mounting

Case Style A



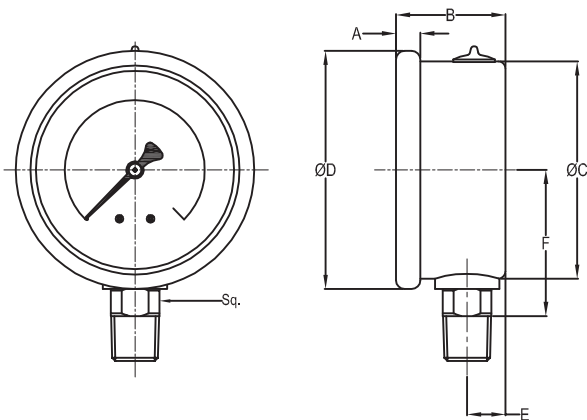
NS	A	B	ØC	ØD	G	S	M	ØI	ØN	ØU	Sq.	Weight in gram (With Box)	Weight in gram (With Glycerin & Box)
63	6.8	30.5	62.5	68.5	45	7	80	3.5	86	75	14		

Case Style B



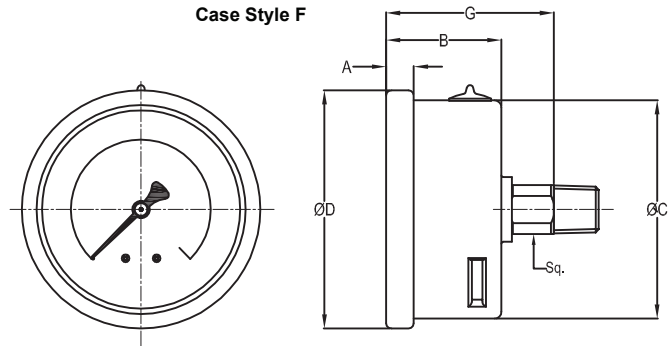
NS	A	B	ØC	ØD	G	S	ØN	ØU	Sq.	Weight in gram (With Box)	Weight in gram (With Glycerin & Box)
63	6.8	30.5	62.5	68.5	45	1	86	75	14		

Case Style D



NS	A	B	ØC	ØD	E	F	Sq.	Weight in gram (With Box)	Weight in gram (With Glycerin & Box)
63	6.8	30.5	62.5	68.5	11	44	14		

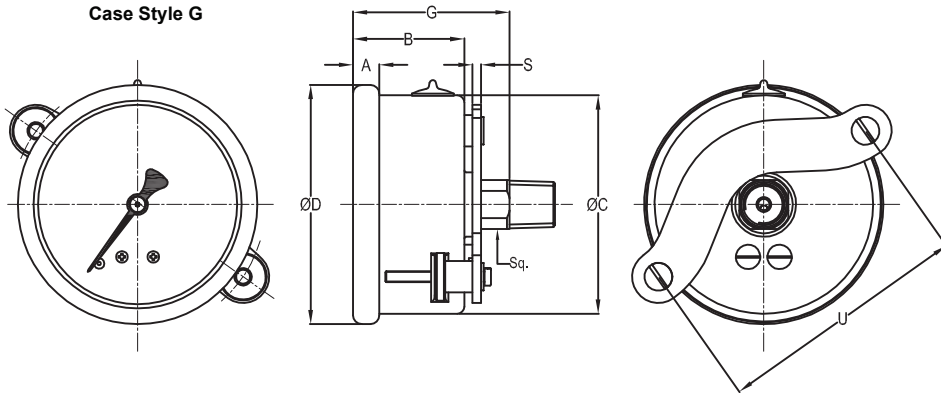
Case Style F



NS	A	B	ØC	ØD	G	Sq.	Weight in gram (With Box)	Weight in gram (With Glycerin & Box)
63	6.8	30.5	62.5	68.5	45	14		

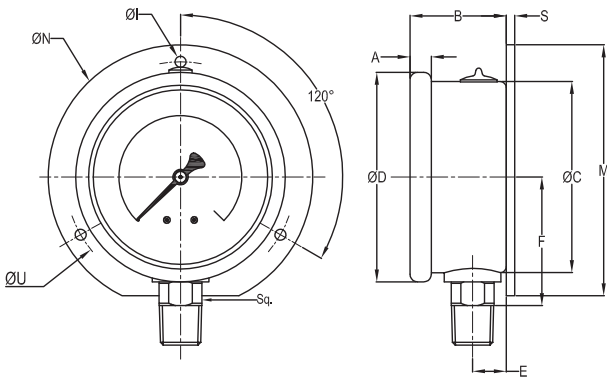
Dimensions - Types of mounting

Case Style G



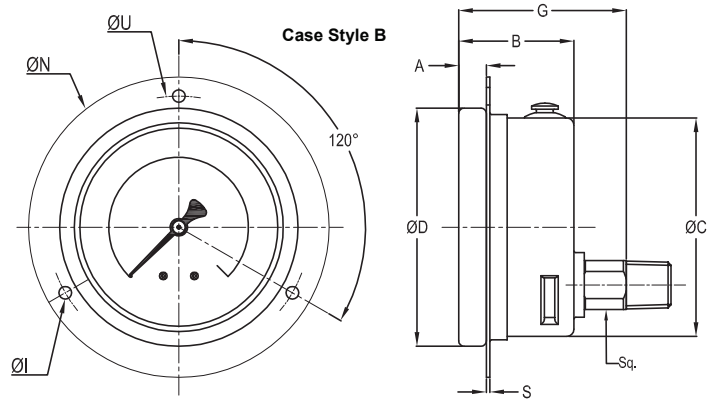
NS	A	B	ØC	ØD	G	S	U	Sq.	Weight in gram (With Box)	Weight in gram (With Glycerin & Box)
63	6.8	30.5	62.5	68.5	45	2.5	72.5	14		

Case Style A



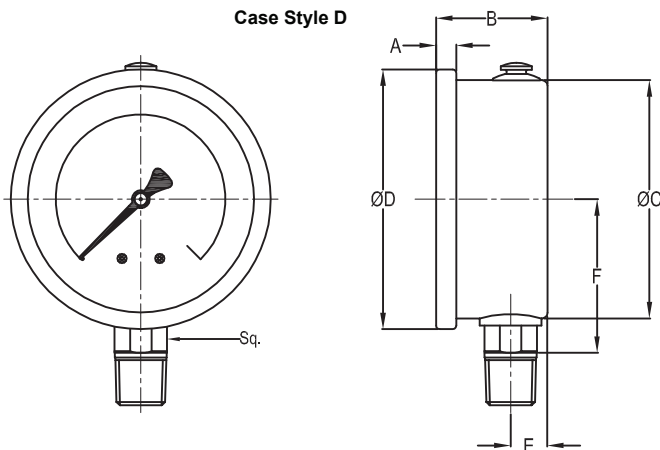
NS	A	B	ØC	ØD	E	F	S	M	ØI	ØN	ØU	Sq.	Weight in gram (With Box)	Weight in gram (With Glycerin & Box)
100	8.5	46	100	109	15.5	64.5	6	128	6	134	118	22		

Case Style B



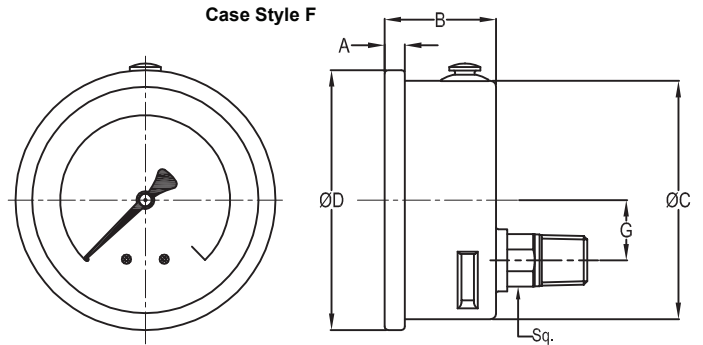
NS	A	B	ØC	ØD	G	S	ØI	ØN	ØU	Sq.	Weight in gram (With Box)	Weight in gram (With Glycerin & Box)
100	8.5	46	100	109	64.5	1	6	134	118	22		

Case Style D



NS	A	B	ØC	ØD	E	F	Sq.	Weight in gram (With Box)	Weight in gram (With Glycerin & Box)
100	8.5	46	100	109	15.5	64.5	22		

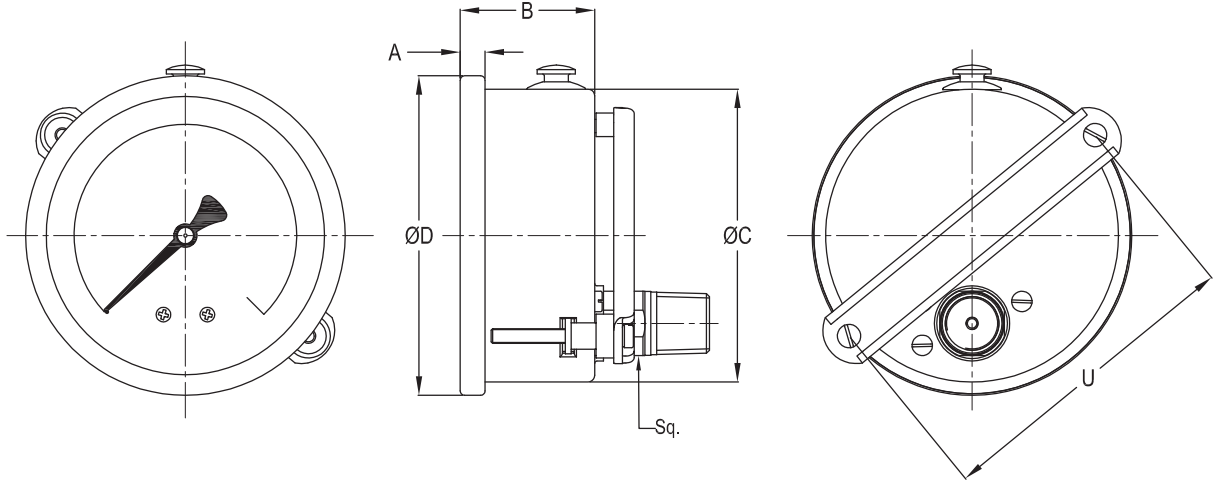
Case Style F



NS	A	B	ØC	ØD	F	G	Sq.	Weight in gram (With Box)	Weight in gram (With Glycerin & Box)
100	8.5	46	100	109	64.5	30	22		

Dimensions - Types of mounting

Case Style G



NS	A	B	ØD	ØD	U	Sq.	Weight in gram (With Box)	Weight in gram (With Glycerin & Box)
100	8.5	46	100	109	108.5	22		

Pressure ranges

Code	bar
B59	-1 ... 0
B72	-1 ... 0.6
B74	-1 ... 1.5
B76	-1 ... 3
B77	-1 ... 5
B79	-1 ... 9
B81	-1 ... 15
B82	-1 ... 24
B12	0 ... 0.6
B15	0 ... 1
B16	0 ... 1.6
B18	0 ... 2.5
B19	0 ... 4
B20	0 ... 6
B22	0 ... 10
B24	0 ... 16
B26	0 ... 25
B27	0 ... 40
B29	0 ... 60
B31	0 ... 100
B33	0 ... 160
B35	0 ... 250
B38	0 ... 400
B39	0 ... 600
B41	0 ... 1000

Code	kPa
D59	-100 ... 0
D72	-100 ... 60
D74	-100 ... 150
D76	-100 ... 300
D77	-100 ... 500
D79	-100 ... 900
D81	-100 ... 1500
D82	-100 ... 2400
D12	0 ... 60
D15	0 ... 100
D16	0 ... 160
D18	0 ... 250
D19	0 ... 400
D20	0 ... 600
D22	0 ... 1000
D24	0 ... 1600
D26	0 ... 2500
D27	0 ... 4000
D29	0 ... 6000
D31	0 ... 10000
D33	0 ... 16000
D35	0 ... 25000
D38	0 ... 40000
D39	0 ... 60000
D41	0 ... 100000

Code	kg/cm ²
F59	-1 ... 0
F72	-1 ... 0.6
F74	-1 ... 1.5
F76	-1 ... 3
F77	-1 ... 5
F79	-1 ... 9
F81	-1 ... 15
F82	-1 ... 24
F12	0 ... 0.6
F15	0 ... 1
F16	0 ... 1.6
F18	0 ... 2.5
F19	0 ... 4
F20	0 ... 6
F22	0 ... 10
F24	0 ... 16
F26	0 ... 25
F27	0 ... 40
F29	0 ... 60
F31	0 ... 100
F33	0 ... 160
F35	0 ... 250
F38	0 ... 400
F39	0 ... 600
F41	0 ... 1000

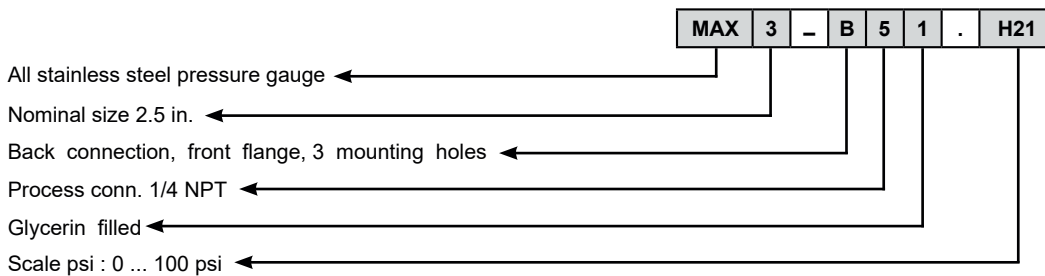
Code	psi
H59	-30" Hg ... 0
H73	-30" Hg ... 15
H75	-30" Hg ... 30
H2C	-30" Hg ... 60
H78	-30" Hg ... 100
H79	-30" Hg ... 150
H81	-30" Hg ... 220
H82	-30" Hg ... 300
H13	0 ... 10
H15	0 ... 15
H1C	0 ... 20
H17	0 ... 30
H19	0 ... 60
H21	0 ... 100
H22	0 ... 160
H23	0 ... 200
H25	0 ... 300
H26	0 ... 400
H27	0 ... 600
H30	0 ... 1000
H31	0 ... 1500
H34	0 ... 3000
H38	0 ... 6000
H39	0 ... 9000
H41	0 ... 15000

Note : We offer National / International Scales like kPa, MPa, bar, psi, kg/cm² & Dual Scale like kPa with psi, kPa with bar, bar with psi or equivalent scales as per the requirement can be provided on request.

Ordering details - MAX3 - MAX5

	MAX	3	-	B	5	1	.	xxx
Model	All stainless steel pressure gauge							
Nominal size	2.5 in.							
	4 in.							
Type of mounting	Bottom Connection Back Flange							
	Back connection, front flange, 3 mounting holes							
	Bottom connection							
	Back connection							
	Back connection with clamp							
Process connection	1/4 NPT							
	1/2 NPT							
Liquid Filling options	Dry							
	BH1 : low viscosity glycerin/water 86% (medium : -20 ... +70°C)							
	BH2 : high viscosity glycerin 99.5% (medium : 0 ... +90°C)							
Unit of measurement / Pressure ranges	bar psi kPa kg/cm ²							
	bar / psi (double scale)							
	psi / bar (double scale)							
	kg/cm ² / psi (double scale)							
	Bxx							
	Hxx							
	Dxx							
	Fxx							
	Kxx							
	Sxx							
	5xx							

Ordering example



For other optional items, please contact factory for delivery and minimum quantity of order.

Note : Specifications and dimensions given in this product catalogue represents the state of engineering at the time of printing . Modifications may take place and materials specified may be replaced by others without prior notice.